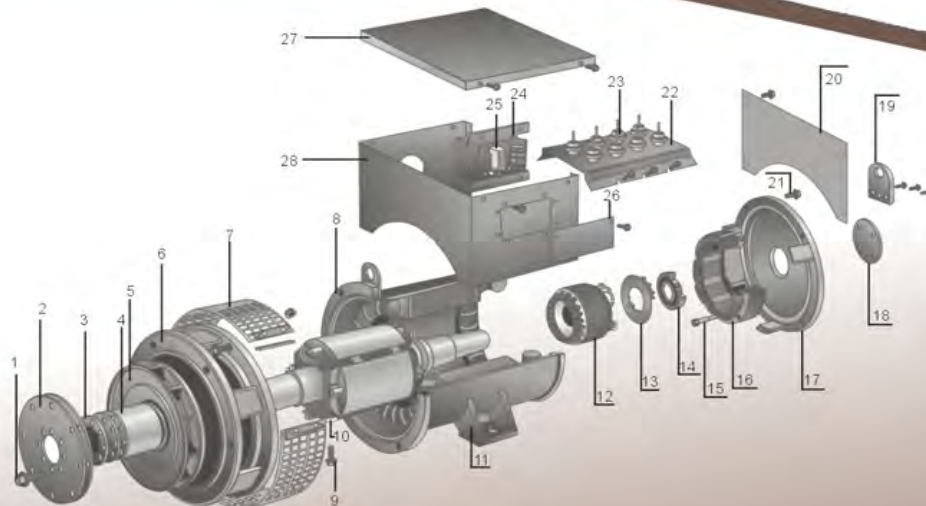


型号及功率MODEL & POWER

型号Model	额定功率Power(1500rpm/50Hz)400V		额定功率Power(1800rpm/60Hz)440V	
	KW	KVA	KW	KVA
SKG164A	6.5	8.1	8.2	10.2
SKG164B	8.8	11.0	11	13.8
SKG164C	10.8	13.5	13.5	16.9
SKG164D	12.8	16	16.0	20.0
SKG184E	18	22.5	23.0	28.8
SKG184F	22	27.5	27.5	34.4
SKG184G	25	31.3	30	37.5
SKG184H	30	37.5	37.5	46.9
SKG184J	32	40	40	50
SKG224C	34	42.5	42	52.5
SKG224D	40	50	50	62.5
SKG224E	48	60	56	70
SKG224F	58	72.5	70	87.5
SKG224G	68	85	78	97.5
SKG274C	80	100	94	118
SKG274D	96	120	110	138
SKG274E	112	140	134	168
SKG274F	128	160	152	190
SKG274G	144	180	170	213
SKG274H	160	200	196	245
SKG314C	200	250	235	294
SKG314D	236	295	280	350
SKG314E	260	325	315	394
SKG314F	304	380	365	456



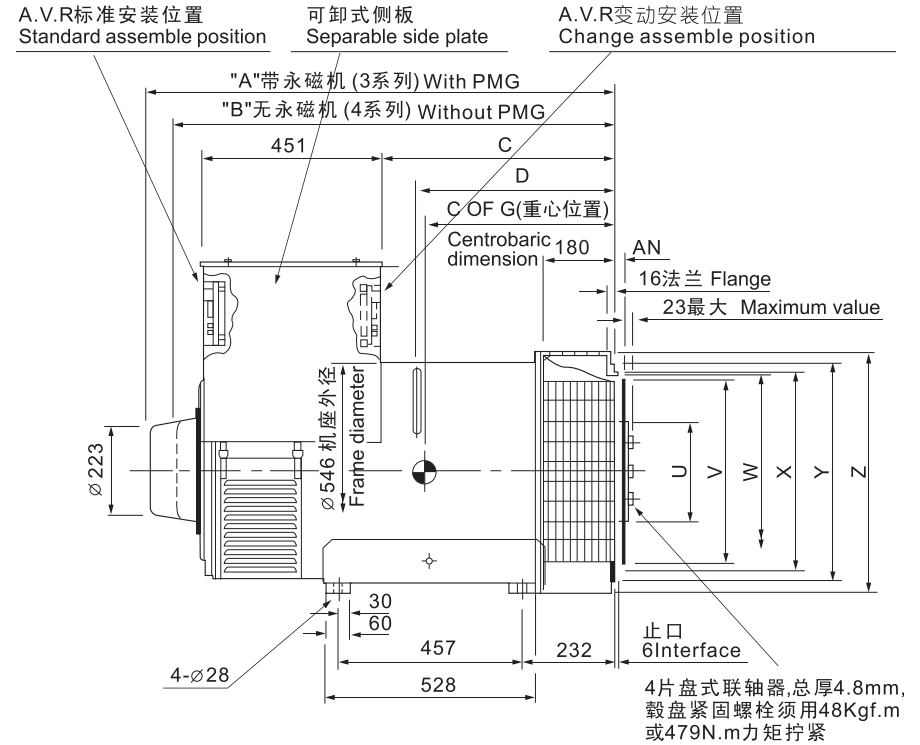
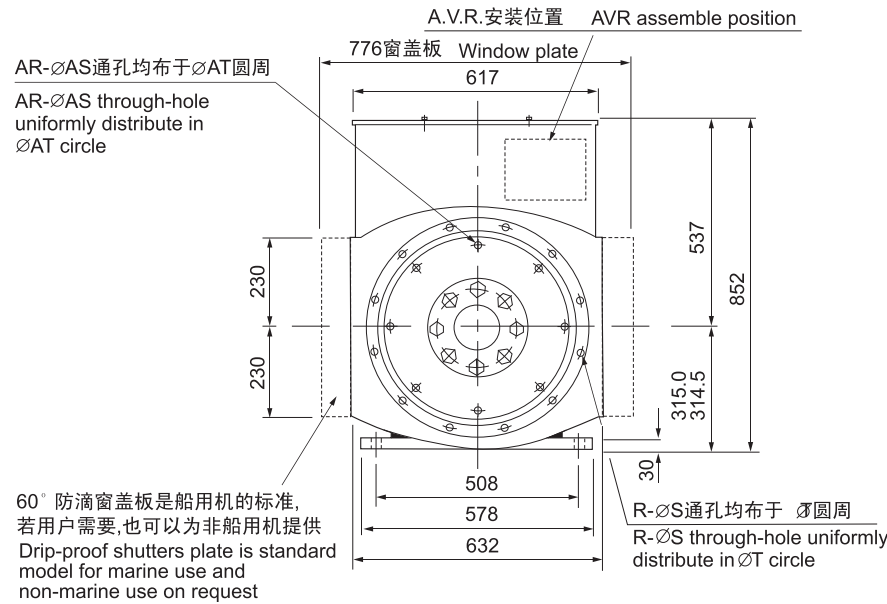
SKG 314 Brushless Synchronous AC Alternators



- 01. BOLT
- 02. FLEX PLATE
- 03. DRIVE PLATE
- 04. FLEXOR
- 05. FAN
- 06. FRONT COVER
- 07. COVERING PLATE
- 08. STATOR WITH WINDING
- 09. BOLT
- 10. ROTOR WITH SHAFT

- 11. EARTHING TERMINAL
- 12. EXCITATING ROTOR
- 13. ROTARY RECTIFIER
- 14. BEARING
- 15. EXCITATING STATOR BOLT
- 16. EXCITATING STATOR
- 17. BACK SHIELD
- 18. BEARING COVER
- 19. EYEBOLT
- 20. TERMINAL BOX-END PLATE

- 21. BOLT
- 22. TERMINAL BOARD
- 23. TERMINAL POLE
- 24. AVR FRAME
- 25. AVR
- 26. TERMINAL BOX-SIDE PLATE
- 27. TERMINAL BOX-TOP COVER
- 28. TERMINAL BOX-FRONT PLATE

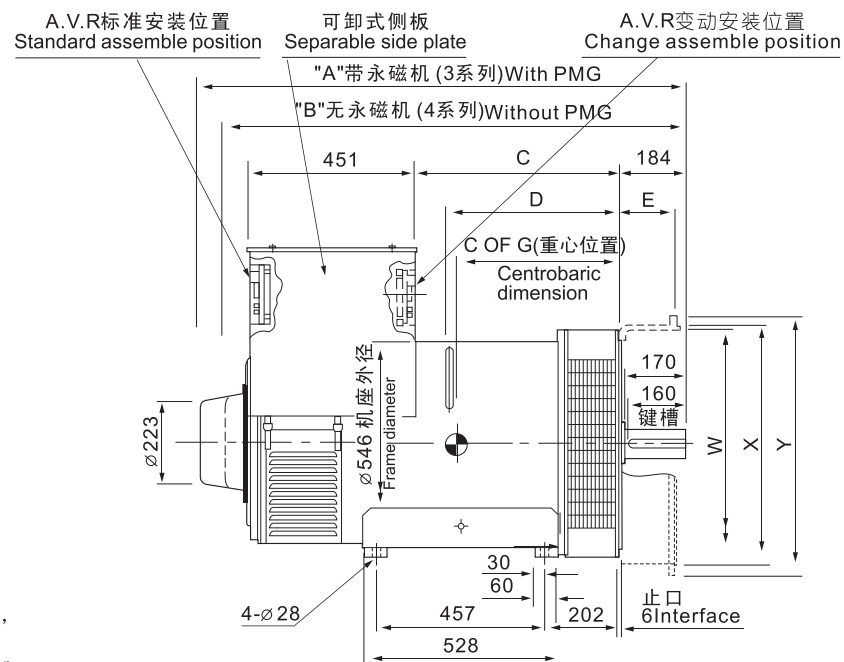
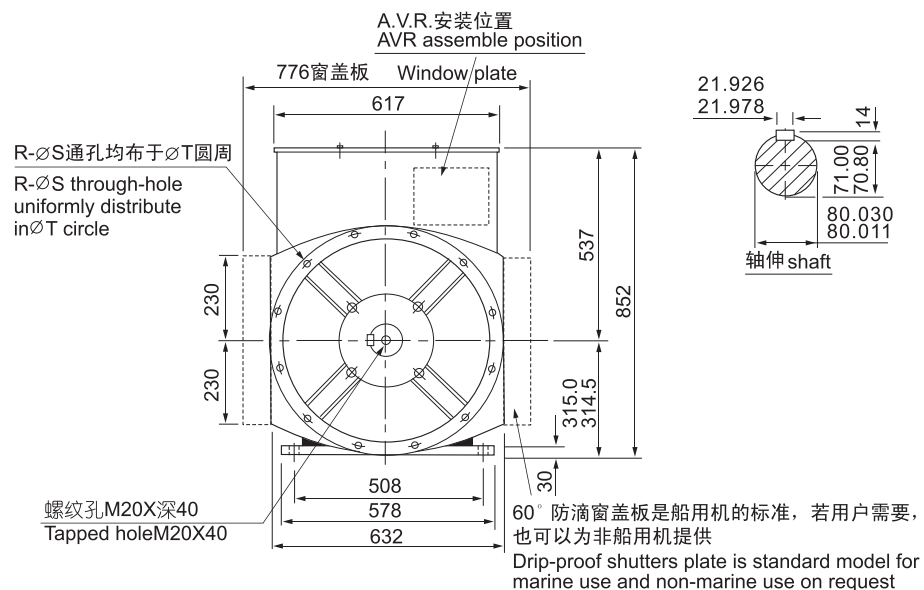


DIMENSION 尺寸 (mm)					
型号 Model	A	B	C	D	Cof G
SKG 314C	1172	1101	584	493	463
SKG 314D	1172	1101	584	493	483
SKG 314E	1172	1101	584	493	504
SKG 314F	1262	1191	674	583	530

FLANGE 法兰式过渡接套 (mm)					
S.A.E.NO.	R	S	T	X	Y
0	12	14	679.5	647.6	711
1/2	12	14	619.1	584.1	680
1	12	12.7	530.2	511.1	617
2	12	11	466.7	447.6	617

DISC COUPLING 盘片式联轴器 (mm)						
S.A.E.NO.	AN	AR	AS	AT	U	V
11.5	39.68	8	10.3	333.4	250	352.3
14	25.40	8	13.5	438.1	250	466.6
18	15.87	6	16.7	543.0	250	571.1

TRANSPORTATION DATA 运输数据			
型号 Model	N.W(kg)	G.W(kg)	LXWXH(cm)
SKG 314C	800	850	140X79X107
SKG 314D	890	940	140X79X107
SKG 314E	960	1010	140X79X107
SKG 314F	1110	1160	140X79X107



DIMENSION 尺寸 (mm)					
型号 Model	A	B	C	D	Cof G
SKG 314C	1326	1255	554	463	443
SKG 314D	1326	1255	554	463	453
SKG 314E	1326	1255	554	463	474
SKG 314F	1416	1345	654	553	500

TRANSPORTATION DATA 运输数据			
型号 Model	N.W(kg)	G.W(kg)	LXWXH(cm)
SKG 314C	800	860	156X79X107
SKG 314D	890	950	156X79X107
SKG 314E	980	1040	156X79X107
SKG 314F	1110	1170	156X79X107

FLANGE 法兰式过渡接套 (mm)							
S.A.E.NO.	R	S	T	W	X	Y	E
0	16	14	679.5	632	647.6	711	150
1/2	12	14	619.1	569	584.1	648	150
1	12	12.7	530.2	496	511.1	553	150
12V135	12	14	625.0	590	604.9	660	158